

INSTALLATION MANUAL

Cabling Instructions

Wiring:

- 1a. Run 2 Twisted Pair cables from the location of the RIM unit to the Audio Distribution Module (RL-MRA300)

Cable Termination Guide

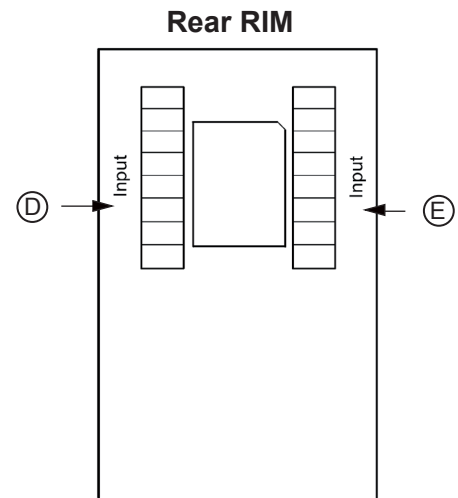
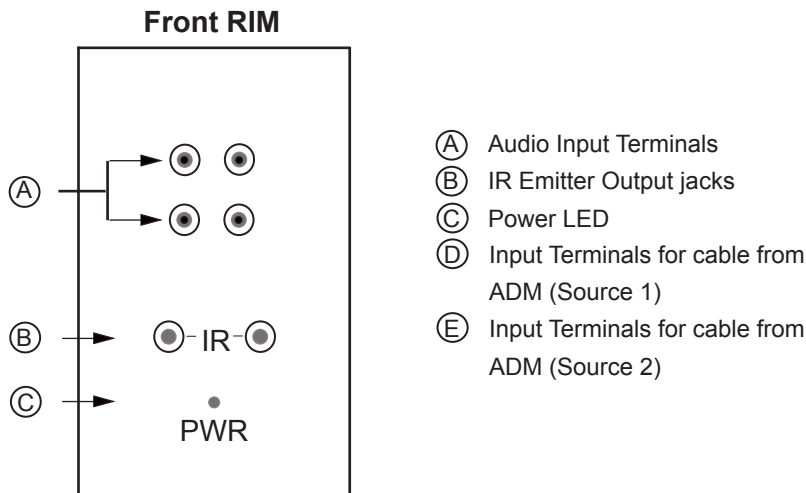
Twisted Pair Cable (Cat5e):

- 2a. Connect Input 1 on RIM Module to Remote Input Module terminal 1 on ADM module
- 2b. Connect Input 2 on RIM Module to Remote Input Module terminal 2 on ADM module

Cable Configuration

1		BL/W
2		BL
3		OR/W
4		OR
5		GR/W
6		GR
7		BR/W
8		BR

Hardware Connection



Safety Precautions

1. **Do not** apply power to the Audio Distribution Module until all components have been installed and all wiring has been properly terminated. Failure to do so may result in damage to the product and void manufacturer's warranty
2. **Do not** attempt to terminate, change or un-install any wiring without first unplugging power adaptor from the Audio Distribution Module or the Expansion Module, which ever is powering the unit
3. **Do not** expose any component to moisture. Doing so can create electrical hazards or render the component unusable. Exposure to moisture will also void the warranty on the system
4. **Ensure power is run in separate cable** (not together with audio signals). This will ensure optimal function of the system, enabling AVC's to function at their optimal efficiency, whilst protecting the system from damage

WARRANTY

Australian Audio Imports Pty Ltd states that the warrant that the customer can rely on is that provided by the manufacturer. In the event of any warranty claim please contact us and we will forward it to the manufacturer. The manufacturer will then determine the extent of their liability. This expressly negates, to the extent possible by Australian law, any warranty reliance on Australian Audio Imports Pty Ltd.

Australian Audio Imports Pty Ltd
 ABN: 34 005 281 096

