

## INSTALLATION MANUAL

### Cable Termination Guide

#### Power Cable:

1. Terminate the power cable that connects to the AVC into the power terminal (E)

NOTE: Remember to connect the same conductor of the cable at both ends ie: solid or stripe. Failure to do so may damage the product and void manufacturer's warranty

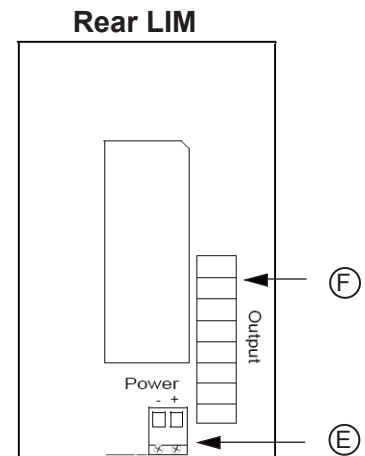
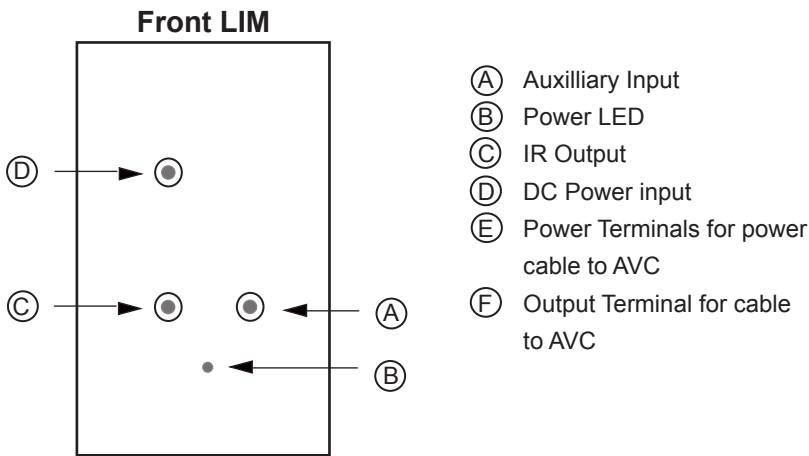
#### Twisted Pair Cable (Cat5e):

2. Terminate Twisted Pair cable to Amplified Volume Control (AVC) to (F) - see diagrams below

### Cable Configuration

	+	SOLID	POWER
	-	STRIPED	POWER
1			BL/W
2			BL
3			OR/W
4			OR
5			GR/W
6			GR
7			BR/W
8			BR

### Hardware Connection



### Safety Precautions

1. **Do not** apply power to the Audio Input Module until all components have been installed and all wiring has been properly terminated. Failure to do so may result in damage to the product and void manufacturer's warranty
2. **Do not** attempt to terminate, change or un-install any wiring without first unplugging power adaptor from the Audio Input Module
3. **Do not** expose any component to moisture. Doing so can create electrical hazards or render the component unusable. Exposure to moisture will also void the warranty on the system
4. **Ensure power is run in separate cable** (not together with audio signals). This will ensure optimal function of the system, enabling AVC's to function at their optimal efficiency, whilst protecting the system from damage

#### WARRANTY

Australian Audio Imports Pty Ltd states that the warrant that the customer can rely on is that provided by the manufacturer. In the event of any warranty claim please contact us and we will forward it to the manufacturer. The manufacturer will then determine the extent of their liability. This expressly negates, to the extent possible by Australian law, any warranty reliance on Australian Audio Imports Pty Ltd.

