

INSTALLATION MANUAL

Cable Termination Guide

Power Cable:

1. Terminate power cable from the ADM into power terminal (E) (which is closest to the IDC terminals labelled 'input') - see diagrams below
2. Terminate the power cable that connects to the AVC into the power terminal (F) (which is closest to the IDC terminal labelled 'output 2') - see diagrams below

NOTE: Remember to connect the same conductor of the cable at both ends ie: solid or stripe. Failure to do so may damage the product and void manufacturer's warranty

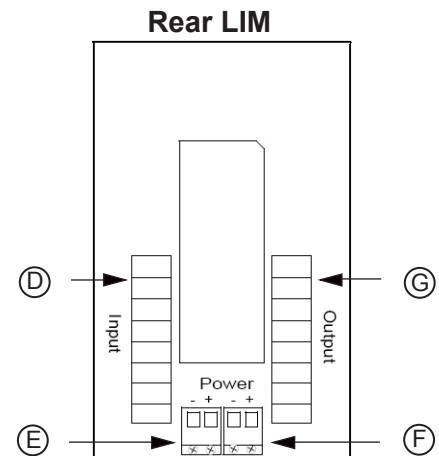
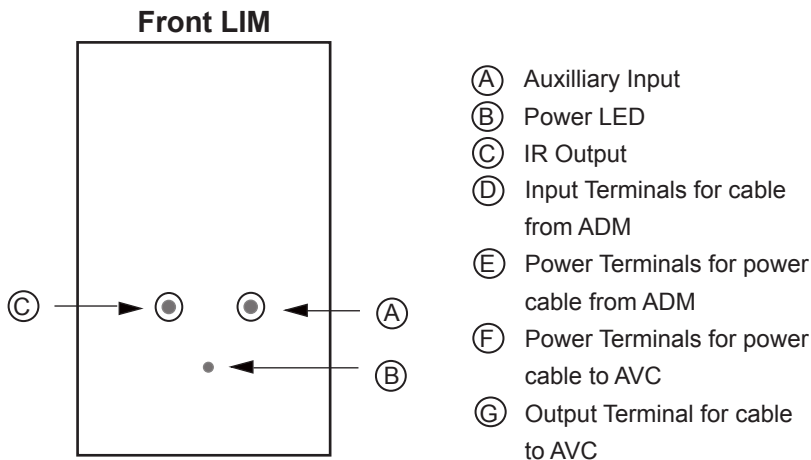
Twisted Pair Cable (Cat5e):

3. Terminate Twisted Pair cable from Audio Distribution Module (ADM) to (D) - see diagrams below
4. Terminate Twisted Pair cable to Amplified Volume Control (AVC) to (G) - see diagrams below

Cable Configuration

	+	SOLID	POWER
	-	STRIPED	POWER
1			BL/W
2			BL
3			OR/W
4			OR
5			GR/W
6			GR
7			BR/W
8			BR

Hardware Connection



Safety Precautions

1. **Do not** apply power to the Audio Distribution Module until all components have been installed and all wiring has been properly terminated. Failure to do so may result in damage to the product and void manufacturer's warranty
2. **Do not** attempt to terminate, change or un-install any wiring without first unplugging power adaptor from the Audio Distribution Module
3. **Do not** expose any component to moisture. Doing so can create electrical hazards or render the component unusable. Exposure to moisture will also void the warranty on the system
4. **Ensure power is run in separate cable** (not together with audio signals). This will ensure optimal function of the system, enabling AVC's to function at their optimal efficiency, whilst protecting the system from damage

WARRANTY

Australian Audio Imports Pty Ltd states that the warrant that the customer can rely on is that provided by the manufacturer. In the event of any warranty claim please contact us and we will forward it to the manufacturer. The manufacturer will then determine the extent of their liability. This expressly negates, to the extent possible by Australian law, any warranty reliance on Australian Audio Imports Pty Ltd.

