

INSTALLATION MANUAL

Cabling Instructions

Wiring:

1. Star wire twisted pair cable from location of ADM to up to 4 Amplified Volume Control modules (AVC)
2. Run a separate cable for DC power alongside each twisted pair cable back to the ADM
3. Run low loss speaker cable from AVC to speakers

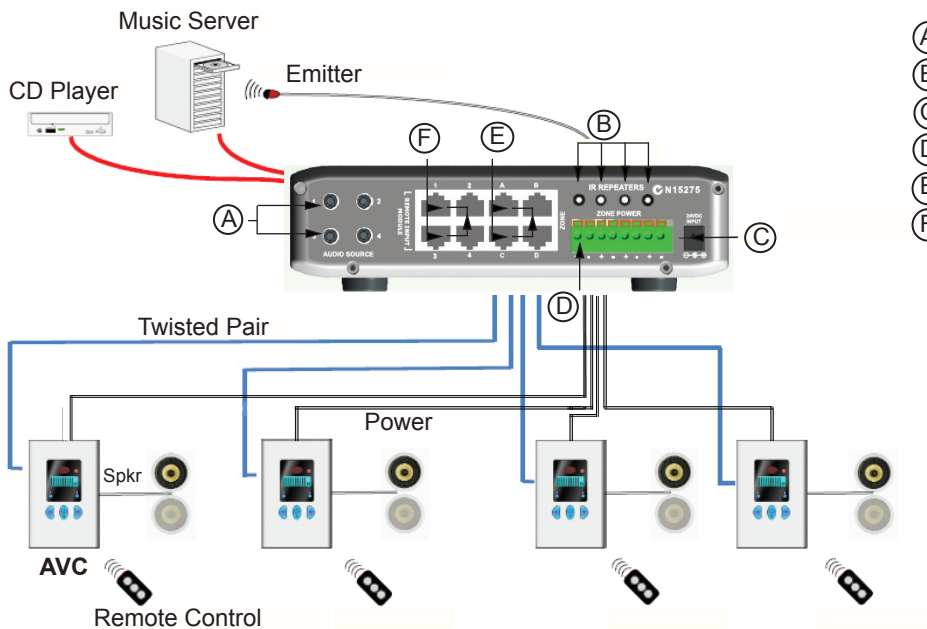
Cable Requirement:

- Audio / Control & IR** - Catagory 5e Twisted Pair Cable
- Power** - 12 - 24 AWG - recommend Figure 8 24/020 or 14/020
- Speaker** - 16 - 26 AWG Low loss speaker cable

Notes:

1. Recommend cables are run according to TS009 regulations to reduce interference
2. Maximum cable run of twisted pair from Audio Distribution Module (ADM) to each AVC is 50m

resi-linx™ Audio Wiring Diagram



- (A) 4 x 3.5mm Audio Input jacks
- (B) 4 x IR Repeater outputs
- (C) 24V DC 3.75A Power input
- (D) VCM power terminals
- (E) Output zones
- (F) Remote inputs (Use with RL-MRA450)

Cable Termination Guide

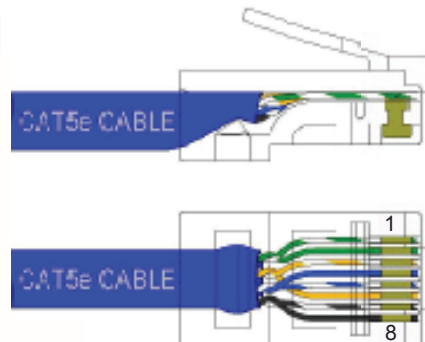
Twisted Pair Cable (Cat5e):

4. Place RJ45 plugs on the ends of all Twisted Pair cables that go to AVC's
5. Plugs are to be wired in accordance with EIA/TIA 568A wiring standard - see table
6. Cables 1 - 8 are placed into the socket in the order indicated in the diagram with latch hook underneath

Power Cable:

7. Terminate power cable into the push-down terminals (D)
8. Remember to connect the same conductor of the cable at both ends ie: solid or stripe. Failure to do so may damage the product and void manufacturer's warranty

EIA/TIA 568A WIRING STANDARD PIN WIRE COLOUR



1	White w/Green Stripe
2	Green
3	White w/Orange Stripe
4	Blue
5	White w/Blue Stripe
6	Orange
7	White w/Brown Stripe
8	Brown

WARRANTY

Australian Audio Imports Pty Ltd states that the warrant that the customer can rely on is that provided by the manufacturer. In the event of any warranty claim please contact us and we will forward it to the manufacturer. The manufacturer will then determine the extent of their liability. This expressly negates, to the extent possible by Australian law, any warranty reliance on Australian Audio Imports Pty Ltd.



INSTALLATION MANUAL

ADM Hardware Connection

1. Connect Audio leads from audio sources into audio input jacks (A)
2. Connect mini-jack plug from IR emitter into IR Repeater jack (B)
3. Place bulb of emitter within 25cm (depending on environmental conditions) of the IR receiver of the audio source
4. When cabling to all modules has been completed and checked, plug power adaptor (RL-MRA500) into mains and plug DC jack into DC IN socket (C) on ADM
5. Please refer to AVC instructions for system operating guide

Safety Precautions

1. **Do not** apply power to the Audio Distribution Module until all components have been installed and all wiring has been properly terminated. Failure to do so may result in damage to the product and void manufacturer's warranty
2. **Do not** attempt to terminate, change or un-install any wiring without first unplugging power adaptor from the Audio Distribution Module
3. **Do not** expose any component to moisture. Doing so can create electrical hazards or render the component unusable. Exposure to moisture will also void the warranty on the system
4. **Ensure power is run in separate cable** (not together with audio signals). This will ensure optimal function of the system, enabling AVC's to function at their optimal efficiency, whilst protecting the system from damage

System Troubleshooting

1. **AUDIO DISTORTION AT HIGH VOLUME -**
Adjust L + R trim pots on rear of AVC using small Phillips head screwdriver, set volume control to max setting, adjust trim pot either up or down until there is no audio distortion
2. **NO LCD BACKLIGHT ON VOLUME CONTROL DISPLAY -**
Check on/off button on AVC &/or remote; check power supply is connected to source of power output; check power point is turned on; check cable terminations are connected to correct terminals on both AVC and ADM
3. **NO AUDIO -**
Check Source devices are functioning correctly and connected correctly to ADM; check cable terminations are connected to correct terminals on both AVC and ADM; check speaker connections on AVC and on speakers
4. **KEYPAD TEST -**
Run a RJ45 lead from Port (D) on RL-MRA310 to keypad RJ45 test socket (E) on RL-MRA210 to check for correct operation

RL-MRA310	
Frequency Response	20 Hz - 20 KHz
Power Input	24V DC 3.75A
Connections - Rear	
- Power Input	2.1mm socket for connection to RL-MRA500 power supply
- Audio Input	4 x 3.5mm mini jacks
- Emitter Outputs	3.5mm mini jack for connection to RL-IR700/800
Connections - Rear	
- Power Output 1 - 4	4 x push clamp 16 - 26 AWG gauge
- Audio and IR Output 1 - 4	4 x RJ45 sockets
Dimensions (mm)	45 (h) x 180 (w) x 150 (d)

WARRANTY

Australian Audio Imports Pty Ltd states that the warrant that the customer can rely on is that provided by the manufacturer. In the event of any warranty claim please contact us and we will forward it to the manufacturer. The manufacturer will then determine the extent of their liability. This expressly negates, to the extent possible by Australian law, any warranty reliance on Australian Audio Imports Pty Ltd.

