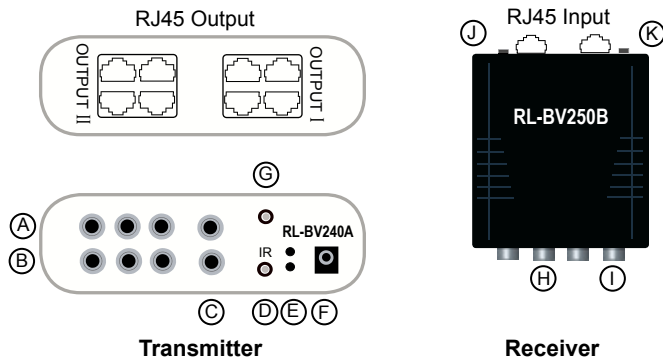


## INSTALLATION MANUAL



- (A) RCA Component Video inputs
- (B) Loop Through RCA Comp. Video outputs
- (C) RCA Digital Audio input and Loop Through output
- (D) IR Emitter output
- (E) IR / Power LED's
- (F) 12V DC Power input
- (G) Analogue Audio input
- (H) RCA Component Video output
- (I) RCA Digital Audio output
- (J) IR Target input
- (K) Analogue Audio output

### Cable Requirements

4 pair twisted cable

### Hardware Connection

1. Ensure all power to equipment is switched off prior to installation.

#### RL-BV240A

2. Connect RCA cables from Component source to terminals (A) of Transmitter.
3. Connect RCA cable from Digital Audio output on Component source to Digital Audio input (C) of transmitter
4. Connect audio cable from Analogue Audio output on Component source to Analogue Audio input (G) on transmitter (if required)
5. Connect a second RCA cable from loop through terminals (B) of Transmitter to the Component input of the local AV device (TV, etc).
6. Connect RL-IR700/800\* IR emitter to output (D) of Transmitter. Place the other end within 25cm of the IR receiver on the Component source (depending on environmental conditions).
7. Connect 2 x RJ45 sockets of Transmitter (OUTPUT IA and OUTPUT IIA) to corresponding INPUT I and INPUT II Receiver in zone A via 4 pair twisted cable. Repeat for zones B, C and D. (eg. OUTPUT IB and II B to zone B INPUT I and II)

#### RL-BV250B

8. Connect Component Video RCA lead (red, green, blue) from RCA Video output (H) of Receiver to the corresponding input on the component device (TV, etc).
9. Connect Digital Audio RCA lead (orange) from RCA Digital Audio output (I) of Receiver to the corresponding input on the component device (TV, etc).
10. Connect Analogue Audio lead (green) from Analogue Audio output (K) of Receiver to corresponding input of the component device (TV, etc).
11. Connect RL-BV500\* IR target to input (J) of Receiver. Flat target can be easily mounted (either directly using adhesive backing, or by using RL-ACC150\* Target Mount) to the desired location, anywhere within the line of sight of remote controls.
12. Repeat steps 8 - 11 for connection of zones B, C and D.
13. Connect supplied 12V DC switch mode power pack to power input (F) on Transmitter.
14. Once installation is complete, switch on power to all equipment. Check green PWR LED (E) on Transmitter is illuminated.

\* Sold separately

#### WARRANTY

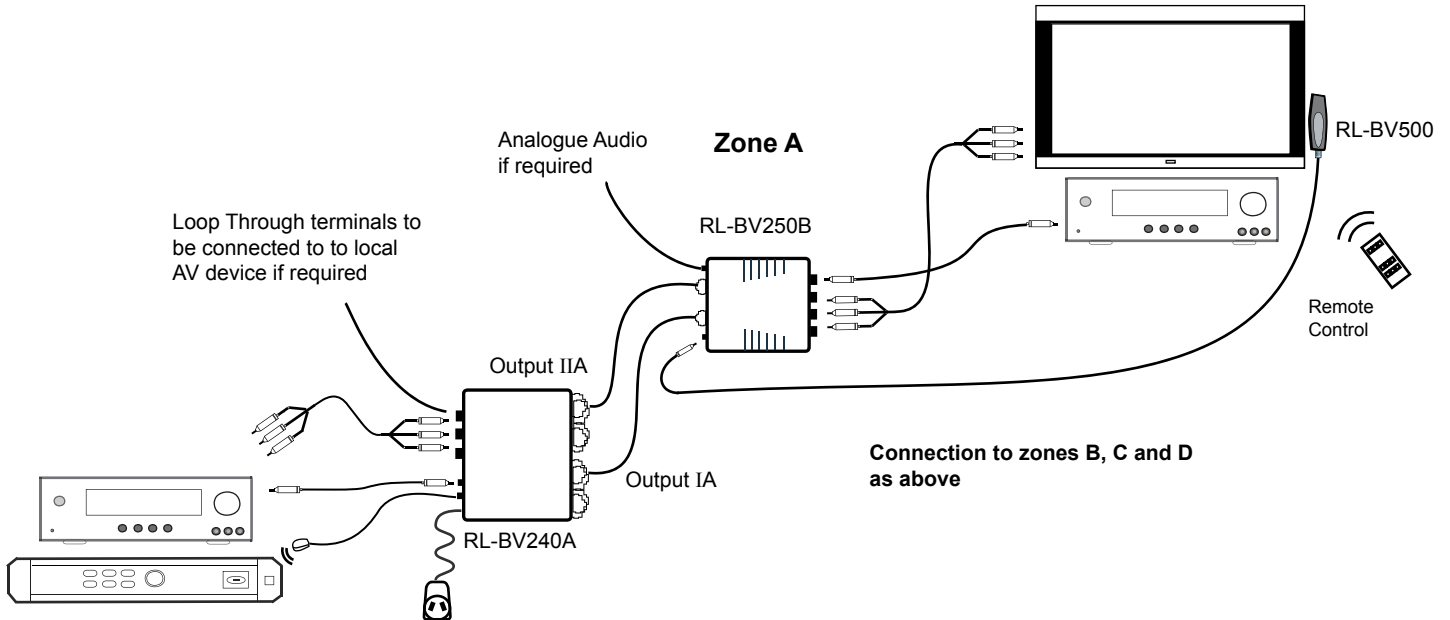
Vcomm Pty Ltd states that the warrant that the customer can rely on is that provided by the manufacturer. In the event of any warranty claim please contact us and we will forward it to the manufacturer. The manufacturer will then determine the extent of their liability. This expressly negates, to the extent possible by Australian law, any warranty reliance on Vcomm Pty Ltd.



### 'linx-AV' Quad IR Component Video/Audio Balun Transmitter (1:4) IR Component Video/Audio Balun Receiver

www.resi-linx.com

## INSTALLATION MANUAL



### Troubleshooting

IR LED indicator on RL-BV240A Transmitter illuminates briefly upon receipt of IR commands.

**NOTE: Some brands of TV/Monitors can reduce the range of the IR Receiver head, which is outside the scope of the warranty.**

RL-BV240A/250B	
Power - BV240A	12V DC 500mA Switch Mode
Maximum video input - BV240A	1.2V P-P
Return loss	>15dB to 1,000 MHz
Common mode rejection	>40dB @ 1,000 MHz
Maximum distance cable	Up to 100m
Video Signal	Component
Audio Signal	Digital / Analogue
Configuration	1:4
IR capability	Yes
Loop Through capability	Yes
Connections In/Out - BV240A	2 sets - 3 x RCA 8 x RJ45 1 x IR Emitter
- BV250B	1 x Analogue Audio 3 x RCA Video 1 x RCA Audio 2 x RJ45 1 x IR Target 1 x Analogue Audio

### WARRANTY

Vcomm Pty Ltd states that the warrant that the customer can rely on is that provided by the manufacturer. In the event of any warranty claim please contact us and we will forward it to the manufacturer. The manufacturer will then determine the extent of their liability. This expressly negates, to the extent possible by Australian law, any warranty reliance on Vcomm Pty Ltd.

Vcomm Pty Ltd  
ABN: 99 091 281 524

