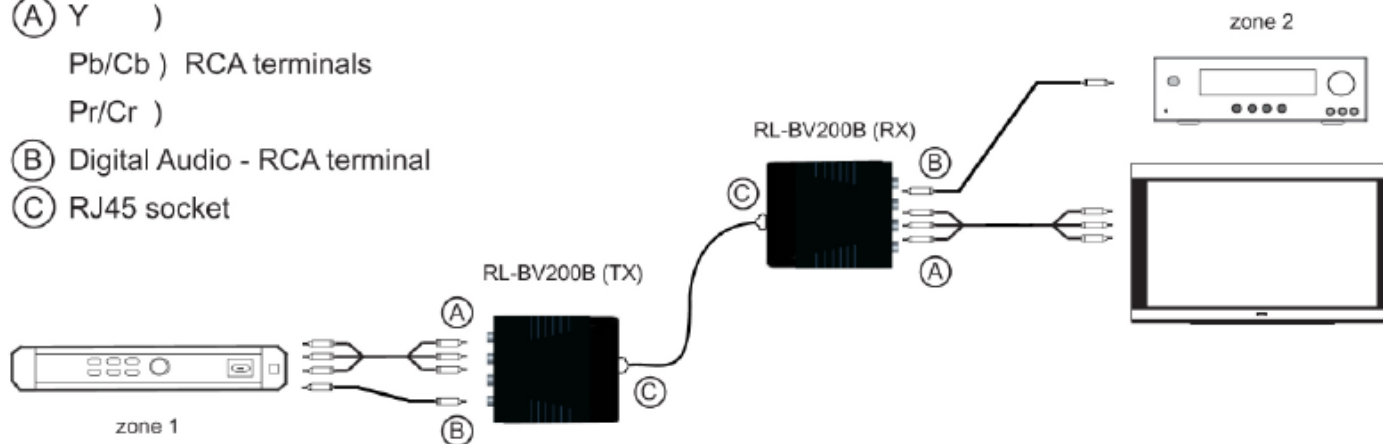




Installation Information

- (A) Y ()
Pb/Cb) RCA terminals
Pr/Cr)
- (B) Digital Audio - RCA terminal
- (C) RJ45 socket



Cable Requirements

4 pair twisted cable

Hardware Connection

1. Ensure all power to equipment is switched off prior to installation
2. Connect Component Video cable from Component Video (red, green, blue) terminals (A) of Transmitter to the video source
3. Connect coaxial Digital Audio cable from Digital Audio (orange) terminal (B) of Transmitter to the digital audio source
4. Connect RJ45 socket (C) of Transmitter to RJ45 socket (C) of Receiver via 4 pair twisted cable (Cat5 or better)
5. Connect Component Video cable from Component Video terminals (A) of Receiver to TV
6. Connect coaxial Digital Audio cable from Digital Audio (orange) terminal (B) of Receiver to the audio receiver
7. Once installation is complete, switch on power to all equipment

Maximum input	1.1V P-P
Return loss	>15dB to 1,000 MHz
Common mode rejection	>40dB @ 1,000 MHz
Maximum distance colour	Up to 100m
Video signal	Component
Audio signal	Digital / SPDIF
Configuration	1:1
IR capability	No
Loop Through capability	No
Connections - In/Out	3 x RCA Video + 1 x RCA Audio 1 x RJ45
Power	Not required

NOTE: For analogue Stereo Audio transmission use RL-BV100 Audio Video Balun in addition to the above