

resi-linx "linx-AV" DISTRIBUTION OVER UTP

resi-linx® 'linx-AV' - Balun and Matrix range offer a stand alone AV solutions for all your distribution requirements.

RL-BV100



The AV Adapters are used in pairs to send/receive video and audio signals (with a remote power option) down UTP cable. The remote power is used when a security camera is installed in a location without a power source (eg front gate).

Point to Point - Composite

RL-BV200



Component Video Balun set with Digital Audio Input. Allows the transmission of component video and digital audio signals via a 4 pair twisted cable.

Point to Point - Component

RL-BV140A



Composite video and stereo audio balun transmitter with IR control. Allows the transmission of composite baseband video signals and stereo audio signals to up to 4 TV's using 4 pair twisted cable.

RL-BV150B



Composite video and stereo audio balun receiver. Built-in IR control with the addition of RL-BV500 Target.

RL-BV240A

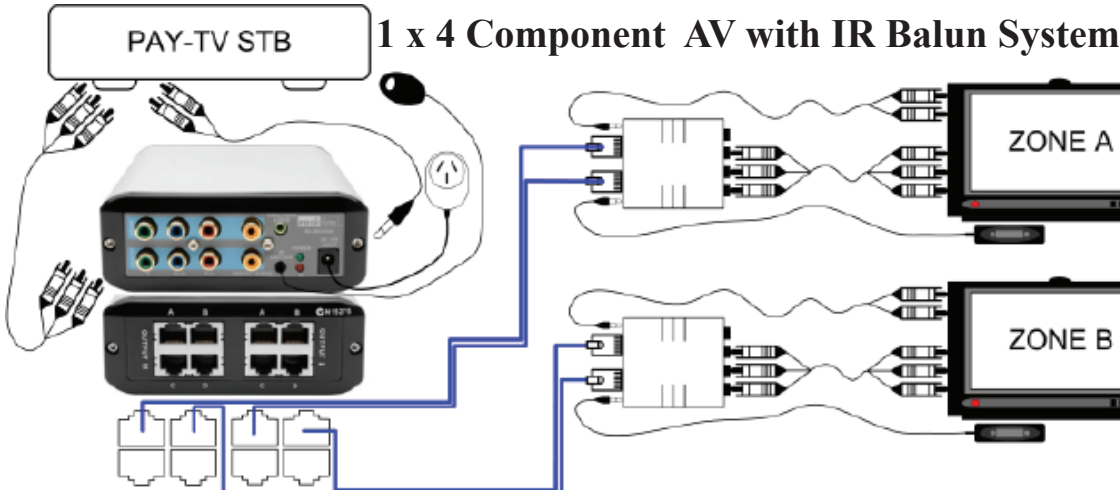
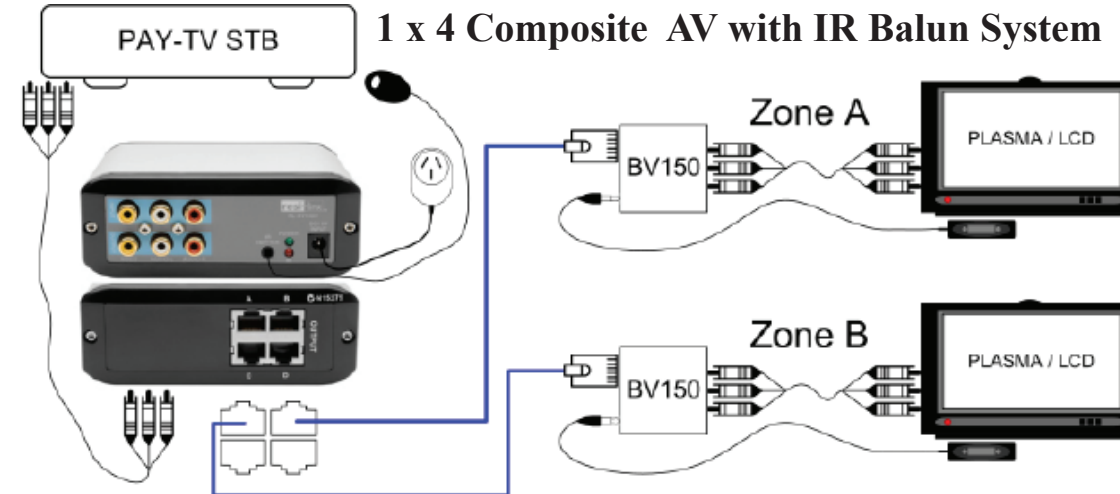


Component video and digital/analogue audio balun transmitter with IR control. Allows the transmission of component video and digital/analogue audio signals to up to 4 TV's using 4 pair twisted cable.

RL-BV250B



Component Video Balun set with Digital Audio Input. Allows the transmission of component video and digital audio signals via a 4 pair twisted cable.



RL-BV500

New flat IR Target for resi-linx® 'linx-AV' range. Receives IR commands from remote controls and sends the signals through the system to control the AV device at a remote location. Powered remotely by system.



resi-linx™